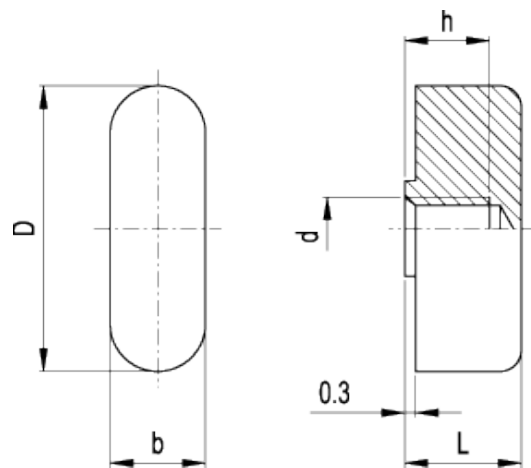


GN 432

Wing knobs



INOX
Stainless Steel



technical informations

Material

AISI 316L sintered stainless steel, sandblasted matte finish.

Assembly

Tapped blind hole.

Features and applications

These wing knobs allow high tightening torque values.

AISI 316L stainless steel, thanks to its high resistance to corrosion, allows the application of these wing knobs on machines and equipment in those sectors where laws or particular hygienic, climatic and environmental factors make it mandatory to use corrosion resistant materials.

Standard Elements	Main dimensions			Mounting hole		Weight
Description	D	L	b	d	h	g
GN 432-25-M6	25	10	8	M6	7	11

GN 432-30-M6	30	12	10	M6	9	20
GN 432-30-M8	30	12	10	M8	9	19
GN 432-36-M8	36	14.5	12	M8	10	35
GN 432-36-M10	36	14.5	12	M10	10	38



ELESA and GANTER models all rights reserved in accordance with the law. Always mention the source when reproducing our drawings.

STANDARD MACHINE ELEMENTS WORLDWIDE